

### LED Slim Line Light

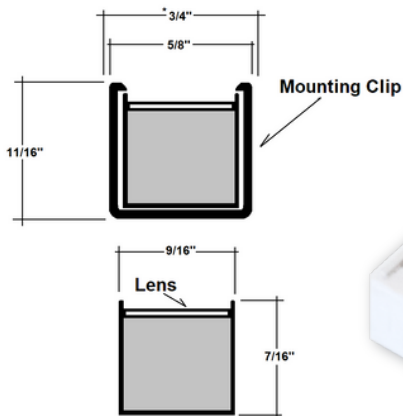
- Slim, trim, and easy to conceal contour of continuous light
- Custom lengths manufactured to the inch nearest 1/4 inch
- Maximum fixture length is 15 feet
- 12v DC for economical power use
  - 50,000 hour average lifetime
- Completely dimmable light system
  - Dimmable and non-dimmable drivers are available
  - Drivers are installed remotely with secondary wiring running back to the light locations
- Housing is white extruded UV stabilized plastic
- Can be mounted with mounting clips (included), VHB tape or sealant/adhesive
- UL 94-VO flammability rated
- Lead wires are 18", standard length. Longer lead lengths available up to 20'

The RN 12 trim line profile fixture provides an abundance of rich light in a highly manageable form. These characteristics make the RN series an excellent choice for any bookcase, cabinet or under step light applications.

#### RNSERIES

##### CLIP

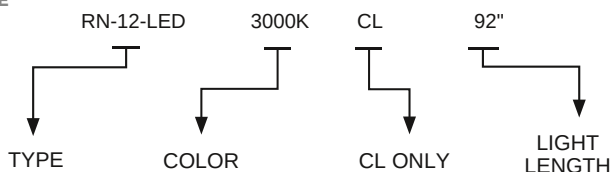
\*Required flex to allow fixture to snap into place.



\*See mounting clip product sheet for more details



#### ORDER EXAMPLE



### LED Options

TEMP (K)	COLOR	BRIGHTNESS LUMENS/METER	LED SPACING	CRI	POWER CONSUMPTION
2700K	WARM WHITE	316	16.7 mm/.66"	80+	1.5w/ft - 5w/m
2700K-HB	WARM WHITE-HB	410	8.3 mm/.5"	80+	2w/ft - 6.4w/m
3000K	SOFT WHITE	387	16.7 mm/.66"	80+	1.5w/ft - 5w/m
3000K-HB	SOFT WHITE - HB	401	12.8 mm/.5"	80+	2w/ft - 6.4w/m
4000K	NEUTRAL WHITE	428	16.7 mm/.66"	80+	1.5w/ft - 5w/m

■ Other colors available, call RSL for details.

### 12vdc Driver Options

#### Magnetic Dimmable Drivers

DESCRIPTION	INPUT VOLTAGE	OUTPUT VOLTAGE	RATING
60w	120vac	12vdc	Class 2, UL/3R
240w (4x60)	120vac	12vdc	Class 2, ETL/3R

\*With magnetic drivers, please use a 20% de-rating factor in your designs  
 \*240v and 277v input options available for special order  
 \*Magnetic drivers require magnetic dimmers

#### Universal Dimmable Drivers

DESCRIPTION	INPUT VOLTAGE	OUTPUT VOLTAGE	RATING
UNV-30w	100-277vac	12vdc	Class 2, UL
UNV-60w	100-277vac	12vdc	Class 2, UL
UNV-(3x60w)	100-277vac	12vdc	Class 2, UL
UNV-(5x60w)	100-277vac	12vdc	Class 2, UL

\*Compatible with all dimmers including phase dimmers and 0-10v dimmers

#### Lutron Dimmable Drivers

DESCRIPTION	INPUT VOLTAGE	OUTPUT VOLTAGE	RATING
40w LTEA4U1UKL-AV120	120vac	12vdc	Class 2, UL/3R

#### Non-Dimming Drivers

DESCRIPTION	INPUT VOLTAGE	OUTPUT VOLTAGE	RATING
LPV-35w	90-264vac	12vdc	Class 2, UL
LPV-60w	90-264vac	12vdc	Class 2, UL

Custom fabricated fixtures are manufactured to the exact dimension required. Each LED fixture is built with standard 18" lead wires from one end.

Please consult with an RSL representative for solutions on extra-long lengths.

