



INSTALLATION INSTRUCTIONS

RW ADJUSTABLE SHELF LIGHT

Voltage / 12vdc and 24vdc LEDs

Require class 2, 12vdc or 24vdc power supplies

- Circuit is completed using 1/8" x 1/2" brass contact bars mounted flush in sides of casework;
 - The contact bars should be connected to the low voltage class 2 power supply with minimum 18 awg wire. One wire to the positive side and one wire to the negative side.
- Polarity sensitive
 - If lights don't illuminate, try reversing ends.
 - Restore electricity and check operation fixture.

Fixtures are packed in plastic bags for protection during the shipping process. Please note tagging code if required.

PRIOR TO INSTALLATION

! DISCONNECT THE POWER BY TURNING OFF CIRCUIT BREAKER OR REMOVING FUSE AT FUSE BOX !

Installation: Mechanical Fastening

The shelf light can be mounted onto the adjustable shelf surface with mounting clips (provided) or flush mounted into the shelf surface. The shelf light can also be installed in a separate molding and attached to the shelf. If mounting with adhesive tape, ensure that the mounting area is neat, clean, dry, and free from any chemical residue.

RW ADJUSTABLE SHELF LIGHT

Special Notes:

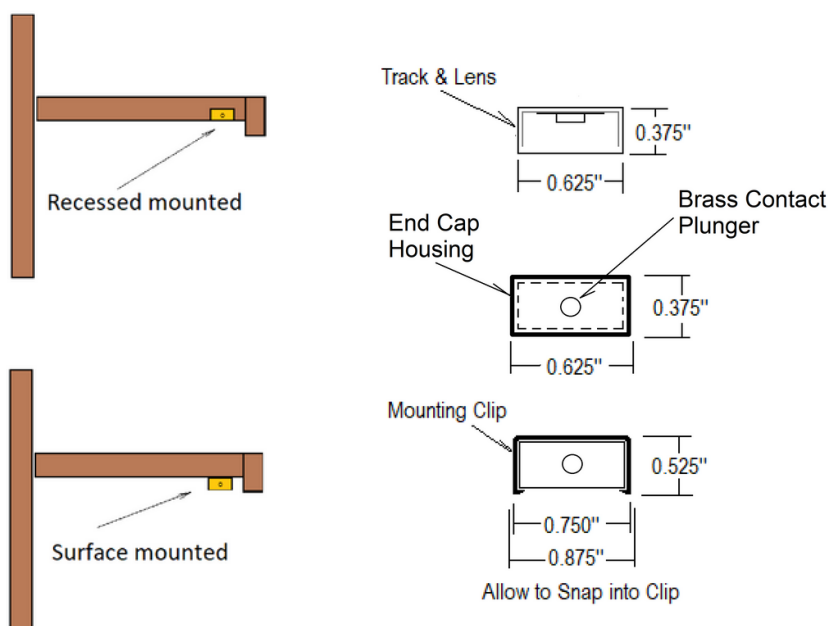
Prior to building the case, consider front stile interference during removal and installation of the adjustable shelf.

Shelf lights are made with RSL RW series fixture and proprietary connection system that generates light when “plungers” come into contact with the powered bars. There is roughly $\frac{1}{4}$ ” allowance for contact per side of shelf.

All electrical connections must be in accordance with local codes, ordinances, or the national electrical code. If you are unfamiliar with methods of installing electrical wiring, retain the service of a qualified licensed electrician. Before starting the installation, disconnect the power by turning off the circuit breaker or removing the fuse from the fuse box. Turning off the light switch is not sufficient to prevent electrical shock.

The Class 2 power supply's low voltage outputs connect to each of the contact bars with minimum 18awg insulated wire. Positive lead wire connects to one contact bar and negative lead wire connects to the other.

! WE DO NOT RECOMMEND MOUNTING SCREWS IN THE VISIBLE AREA CONTACT PATHWAYS !



*For best results, measure top shelf, middle shelf and bottom shelf of your cabinet to review shelf dimensions for constancy. If the dimensions are not all the same or not within $\frac{1}{8}$ ", please order shelf lengths accordingly. For correct light lengths, measure contact bar to contact bar, minus $\frac{1}{4}$ ". Contact movement on each end of the light is $\frac{1}{4}$ ". This centers the contact plunger in its movable range.

Any questions on voltage type, maximum wattage, or re-lamping, please call or contact us at: