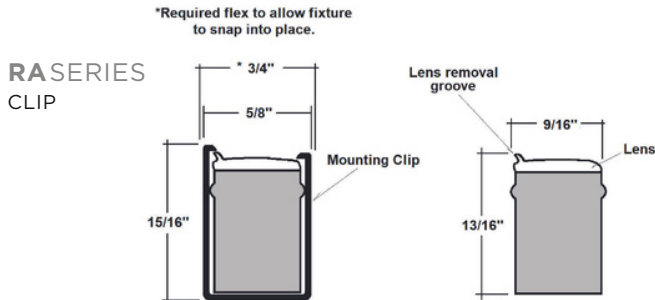


# SERIES RA12 LED

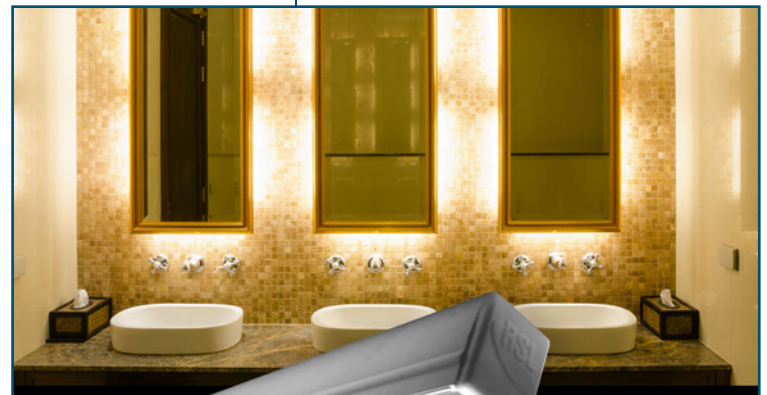
## LED Slim Line Step-Light

- Slim line contour of continuous light
- Low temperature, warm to the touch
- 12 Volt DC for economical power use
  - 50,000 hour continuous lamp life
- Completely dimmable light system
  - Dimmable and non-dimmable drivers are available
  - Drivers are installed remotely with secondary wiring running back to the light locations
- Custom lengths manufactured to the nearest 1/4 inch
- Maximum fixture length is 15 feet
- Housing is white extruded UV stabilized plastic
- Clear or frosted lens cover with UV inhibitors
- Can be mounted with mounting clips (included), VHB or silicone adhesive
- Dry/Damp Rated
- UL 94-VO flammability rated
- Lead wires are 18", standard length. Longer lead lengths available up to 20'

The RA 12 Slim Line provide a narrow contour of continuous light for applications that specify the illumination of cabinets, displays/fixtures, railing, handrails, coves, and soffits. Any decor application that requires beautiful illumination in a manageable form is a great match for the Slim Line fixture.



### HOTEL RESTROOM :



## RA Slim Line LED

\*See mounting clip product sheet for more details

ORDER EXAMPLE

- RA-12-LED (TYPE)
- 3000K (COLOR)
- FL (LIGHT LENS)
  - CLEAR-CL
  - FROSTED-FL
- 104" (LIGHT LENGTH)



### LED Options

TEMP (K)	COLOR	BRIGHTNESS LUMENS/METER	LED SPACING	CRI	POWER CONSUMPTION
2700K	WARM WHITE	316	16.7 mm/.66"	80+	1.5w/ft - 5w/m
2700K-HB	WARM WHITE-HB	410	8.3 mm/.5"	80+	2w/ft - 6.4w/m
3000K	SOFT WHITE	387	16.7 mm/.66"	80+	1.5w/ft - 5w/m
3000K-HB	SOFT WHITE - HB	401	12.8 mm/.5"	80+	2w/ft - 6.4w/m
4000K	NEUTRAL WHITE	428	16.7 mm/.66"	80+	1.5w/ft - 5w/m

■ Other colors available, call RSL for details.

### 12vdc Driver Options

#### Magnetic Dimmable Drivers

DESCRIPTION	INPUT VOLTAGE	OUTPUT VOLTAGE	RATING
60w	120vac	12vdc	Class 2, UL/3R
240w (4x60)	120vac	12vdc	Class 2, ETL/3R

\*With magnetic drivers, please use a 20% de-rating factor in your designs  
 \*240v and 277v input options available for special order  
 \*Magnetic drivers require magnetic dimmers

#### Universal Dimmable Drivers

DESCRIPTION	INPUT VOLTAGE	OUTPUT VOLTAGE	RATING
UNV-30w	100-277vac	12vdc	Class 2, UL
UNV-60w	100-277vac	12vdc	Class 2, UL
UNV-(3x60w)	100-277vac	12vdc	Class 2, UL
UNV-(5x60w)	100-277vac	12vdc	Class 2, UL

\*Compatible with all dimmers including phase dimmers and 0-10v dimmers

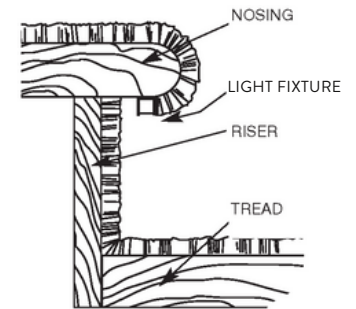
#### Lutron Dimmable Drivers

DESCRIPTION	INPUT VOLTAGE	OUTPUT VOLTAGE	RATING
40w LTEA4U1UKL-AV120	120vac	12vdc	Class 2, UL/3R

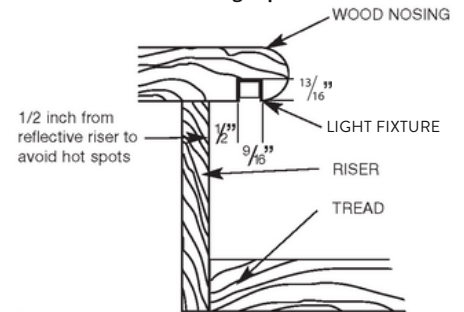
#### Non-Dimming Drivers

DESCRIPTION	INPUT VOLTAGE	OUTPUT VOLTAGE	RATING
LPV-35w	90-264vac	12vdc	Class 2, UL
LPV-60w	90-264vac	12vdc	Class 2, UL

## SERIES RA12 LED



Shown without mounting clips



Custom fabricated fixtures are manufactured to the exact dimension required. Each LED fixture is built with standard 18" lead wires from one end.

NOTE: Various fixtures permit the client to specify from which end the lead wires exit. The maximum fixture length for any type is 15 feet (180 inches).

Please consult with an RSL representative for solutions on extra-long lengths.

