

Wireless Adjustable Shelf Light

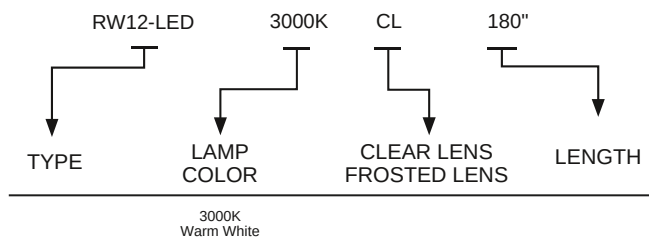
SERIES ADJUSTABLE SHELF LIGHT

- Slim line contour of continuous light in our lowest profile housing
 - 120 degree viewing angle
- Custom lights manufactured to the nearest 1/4 inch
- Maximum fixture length is 15 feet
- 12v DC or 24v DC LED options available
 - 50,000 hour average lifetime
- Completely dimmable light system
 - Dimmable and non-dimmable drivers are available
 - Drivers are installed remotely with secondary wiring running back to the light locations
- Housing is white extruded UV stabilized plastic
 - Clear or frosted lens cover with UV inhibitors
 - Can be mounted with mounting clips (included), VHB tape or silicone adhesive
- UL 94-VO flammability rated
- Wireless Shelf Light with spring loaded contacts allowing for easy shelf adjustment

The RSL Adjustable Shelf Light provides convenient versatility anywhere a lighted shelf is desired. The Adjustable Shelf Light is essential for visually enhancing retail spaces, public display cases, wine cellars or personal collections. The durable low profile housing can be custom fabricated to any length. The Adjustable Shelf Light is completely dimmable and enables various luminescent details to highlight craftsmanship and artistry.



SHELF LIGHT PROJECT:



12vdc LED Color Options

CCT	COLOR	BRIGHTNESS LUMENS/METER	LED SPACING	CRI	POWER CONSUMPTION
2200K	Very Warm White	380L/m, 240 LEDs/m	.1654"	90+	1.5w/ft - 5w/m
2200K-VHB	Very Warm White	800L/m, 240 LEDs/m	.1654"	90+	3w/ft - 10w/m
2700K	Warm White	316	.66"	80+	1.5w/ft - 5w/m
2700K-HB	Warm White	410	.66"	80+	2w/ft - 6.4w/m
2700K-VHB	Warm White	1275	.33"	90+	3w/ft - 10w/m
3000K	Soft White	387	.66"	80+	1.5w/ft - 5w/m
3000K-HB	Soft White	401	.66"	80+	2w/ft - 6.4w/m
3000K-VHB	Soft White	1255	.33"	90+	3w/ft - 10w/m
4000K	Neutral White	428	.66"	80+	1.5w/ft - 5w/m
4000K-VHB	Neutral White	1285	.33"	90+	3w/ft - 10w/m

■ Other colors available, call RSL for details.

*HB - High Brightness

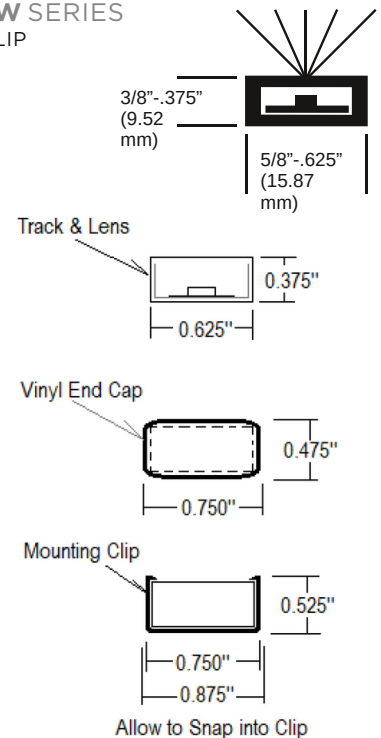
*VHB - Very High Brightness

24vdc LED Color Options

CCT	COLOR	BRIGHTNESS LUMENS/METER	LED SPACING	CRI	POWER CONSUMPTION
DTW	2200K-3800K	890-950	.684"	90+	3w/ft - 10w/m
2200K	Very Warm White	380L/m, 240 LEDs/m	.1654"	90+	1.5w/ft - 5w/m
2200K	Very Warm White	800L/m, 240 LEDs/m	.1654"	90+	3w/ft - 10w/m

SERIES ADJUSTABLE SHELF LIGHT

RW SERIES CLIP



*see mounting clip product sheet for more details

Custom fabricated fixtures are manufactured to the exact dimension required. Each LED fixture is built with standard 18" lead wires from one end.

NOTE: Various fixtures permit the client to specify from which end the lead wires exit. The maximum fixture length for any type is 15 feet (180 inches).

Please consult with an RSL representative for solutions on extra-long lengths.

