



# CUSTOM LOW VOLTAGE LIGHTING

## LED Stair Nosing-Carpet Step Light

### SERIES RC12LED

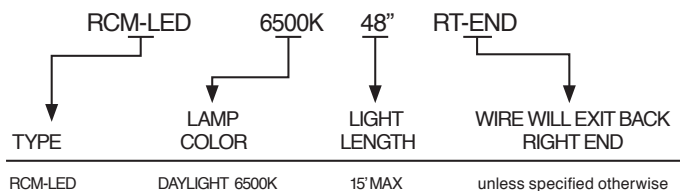
- Completely dimmable light system
- 12v DC for economical power use
  - 12v DC Drivers should be ordered separately
  - Drivers are installed remotely with secondary wiring running back to the light locations.
  - 50,000 hour average lifetime
- Any custom light length made to the 1/4" inch
  - Field measurements should be provided
  - End caps included
- Maximum fixture length is 15 feet
- Lead wires exit one end and are 18" long unless specified longer
  - Wire exit-back can be specified if known; (See below)
  - **If not specified, leads will exit back RIGHT END**
- Actual stub thru conduit wire location must be located and drilled at job site

The RSL RC 12 Stair Nosing-Carpet Series is designed to conceal lighting and extruded stair nosing for carpeted steps and provide a dramatic effect in low light areas by isolating special areas of attention. The heavy duty aluminum provides years of strength and durability. With these fixtures, areas requiring lighted steps, such as auditorium and civic center applications, can have both the luxury of carpeting and safety of illumination that public areas require.

Right End



Left End



**ORDER/SPECIFY BY CATALOG NUMBERS**



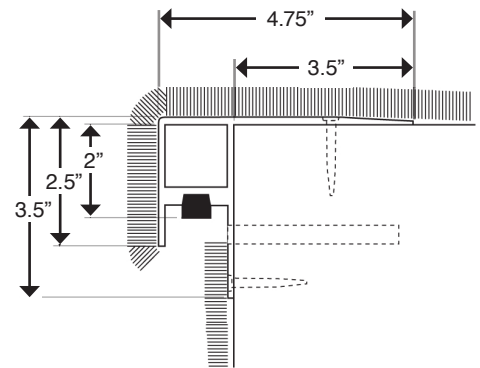
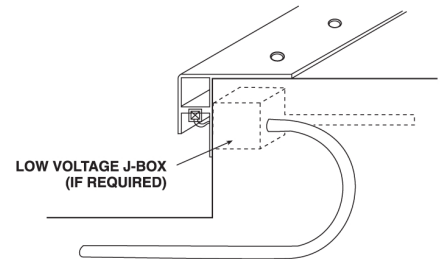


# CUSTOM LOW VOLTAGE LIGHTING

## LED Stair Nosing-Carpet Step Light

### SERIES RC12LED

	DESCRIPTION	RATING	NOTES
<b>NON DIM</b>	36w. Dimmable -Magnetic, 120v/ 12v DC	UL/3R	ETL System Listed with RSL LEDs
	60w. Dimmable -Magnetic, 120v/ 12v DC	UL/3R	ETL System Listed with RSL LEDs
	240w. Dimmable -Magnetic, 120v/ 12v DC	ETL/3R	ETL System Listed with RSL LEDs
	60w. Dimmable – 277v Driver	UL/3R	Call for pricing - Allow 3 weeks for delivery
	240w. Dimmable – 277v Driver	ETL/3R	Call for pricing - Allow 3 weeks for delivery
<b>NON DIM DIM.</b>	35w. Indoor/Outdoor LED Driver	UR	Non-Dimmable
	60w. Indoor/Outdoor LED Driver	UR	Non-Dimmable



Custom fabricated fixtures are manufactured to the exact dimension required. Each LED fixture is built with an 18" lead wire from one end. NOTE: various fixtures permit the client to specify from which end the lead wires exit. The maximum fixture length for any type is 15 feet (180 inches.) (Please consult with an RSL representative for solutions on extra-long lengths.) When pricing, always round up to the nearest half foot.

	Driver Power – Fixture Length Max   RSL's recommended fixture lengths/driver	3.4 Watts			1.9 Watts			1.5 Watts		
<b>NON DIM</b>	36w. Driver	8'	15'	19'						
	60w. Driver	14'	25'	32'						
	240w. Driver (4-60w. drivers)	56'	101'	128'						
<b>NON DIM DIM.</b>	35w. Driver	8'	14'	18'						
	60w. Driver	14'	25'	32'						

TEMP (K)	COLOR	BRIGHTNESS LUMENS/FOOT	LED SPACING	CRI	POWER CONSUMPTION WATTS/FT.
2700K	WARM WHITE	94	16.7 mm/.66"	80+	1.5
2700K-HB	WARM WHITE-HB	124	8.3 mm/.5"	80+	1.9
3000K	SOFT WHITE	117	16.7 mm/.66"	80+	1.5
3000K-HB	SOFT WHITE-HB	121	12.8 mm/.5"	80+	1.9
4000K	NEUTRAL WHITE	129	16.7 mm/.66"	80+	1.5
6500K	DAYLIGHT WHITE	126	16.7 mm/.66"	80+	1.5
6500K-HB	DAYLIGHT WHITE-HB	165	12.8 mm/.5"	80+	1.9

■ Other colors available, call RSL for details.



ROBERTS STEP-LITE SYSTEMS ■ 8100 SW 15th St. ■ Oklahoma City, OK 73128  
 info@robertsstemplite.com ■ www.robertsstemplite.com  
 405.728.4895 ■ 800.654.8268 ■ F: 405.728.4878

