



# CUSTOM LOW VOLTAGE LIGHTING

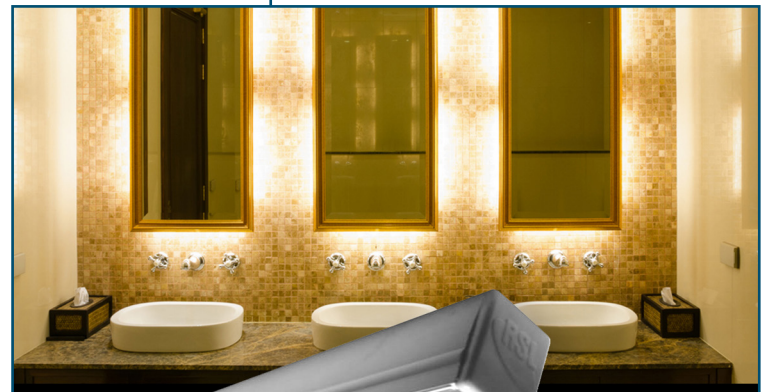
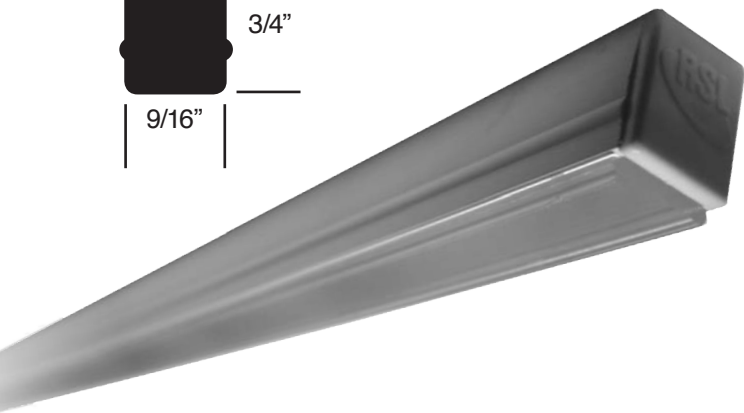
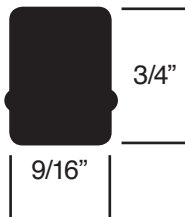
## LED Slim Line Step Light

### SERIES **RA12**LED

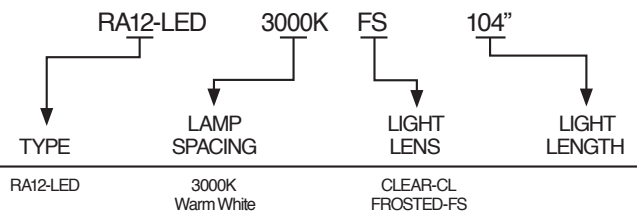
- Slim line contour of continuous light
- Low temperature, warm to the touch
- 12 Volt DC for economical power use
  - 50,000 hour continuous lamp life
- Completely dimmable light system
  - Dimmable and Non-Dimmable drivers are available
  - Drivers are installed remotely with secondary wiring running back to the light locations.
- Custom lengths manufactured to the nearest 1/4 inch
- Maximum fixture length is 15 feet
- Housing is white extruded UV stabilized plastic
- Clear or frosted lens cover with UV inhibitors
- Can be mounted with mounting clips (included), VHB or silicone adhesive
- Dry/Damp Rated
- UL 94-VO flammability rated
- Lead wires are 18", unless ordered longer

The RA 12 Slim Line provide a narrow contour of continuous light for applications that specify the illumination of cabinets, displays/fixtures, railing, handrails, coves, and soffits. Any decor application that requires beautiful illumination in a manageable form is a great match for the Slim Line fixture.

HOTEL RESTROOM :



## RA Slim Line LED



ORDER/SPECIFY BY CATALOG NUMBERS





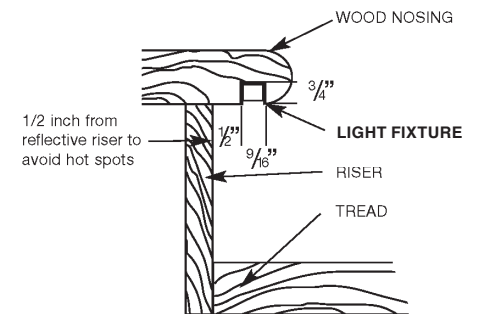
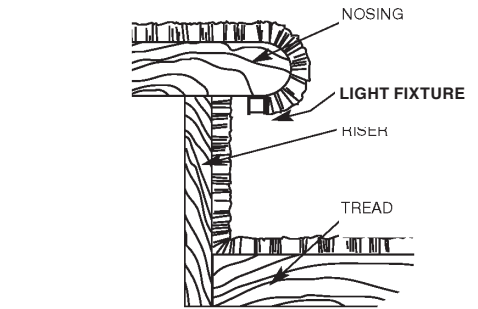
# CUSTOM LOW VOLTAGE LIGHTING

## LED Slim Line Series Step-Light

## SERIES RA12LED

	DESCRIPTION	RATING	NOTES
<b>DIM</b>	36w. Dimmable- Magnetic, 120v/ 12v DC	UL/3R	ETL System Listed with RSL LEDs
	60w. Dimmable -Magnetic, 120v/ 12v DC	UL/3R	ETL System Listed with RSL LEDs
	240w. Dimmable -Magnetic, 120v/ 12v DC	ETL/3R	ETL System Listed with RSL LEDs
	60w. Dimmable – 277v Driver	UL/3R	Call for pricing - Allow 3 weeks for delivery
	240w. Dimmable – 277v Driver	ETL/3R	Call for pricing - Allow 3 weeks for delivery
<b>NON DIM.</b>	35w. Indoor/Outdoor LED Driver	UR	Non-Dimmable
	60w. Indoor/Outdoor LED Driver	UR	Non-Dimmable

<b>12 VOLT</b>	Driver Power – Fixture Length Max   RSL's recommended fixture lengths/driver			
	3.4 Watts	1.9 Watts	1.5 Watts	
<b>DIM</b>	36w. Driver	8'	15'	19'
	60w. Driver	14'	25'	32'
	240w. Driver (4-60w. drivers)	56'	101'	128'
<b>NON DIM.</b>	35w. Driver	8'	14'	18'
	60w. Driver	14'	25'	32'



Custom fabricated fixtures are manufactured to the exact dimension required. Each LED fixture is built with an 18" lead wire from one end. NOTE: various fixtures permit the client to specify from which end the lead wires exit. The maximum fixture length for any type is 15 feet (180 inches.) (Please consult with an RSL representative for solutions on extra-long lengths.) When pricing, always round up to the nearest half foot. Kelvin temperature (color) is +/- 300K.

TEMP (K)	COLOR	BRIGHTNESS LUMENS/FOOT	LED SPACING	CRI	POWER CONSUMPTION WATTS/FT.
2700K	WARM WHITE	94	16.7 mm/.66"	80+	1.5
2700K-HB	WARM WHITE-HB	124	8.3 mm/.5"	80+	1.9
3000K	SOFT WHITE	117	16.7 mm/.66"	80+	1.5
3000K-HB	SOFT WHITE-HB	121	12.8 mm/.5"	80+	1.9
4000K	NEUTRAL WHITE	129	16.7 mm/.66"	80+	1.5
6500K	DAYLIGHT WHITE	126	16.7 mm/.66"	80+	1.5
6500K-HB	DAYLIGHT WHITE-HB	165	12.8 mm/.5"	80+	1.9

■ Other colors available, call RSL for details.



ROBERTS STEP-LITE SYSTEMS ■ 8100 SW 15th St. ■ Oklahoma City, OK 73128  
 info@robertsstemplite.com ■ www.robertsstemplite.com  
 405.728.4895 ■ 800.654.8268 ■ F: 405.728.4878

