



# CUSTOM LOW VOLTAGE LIGHTING

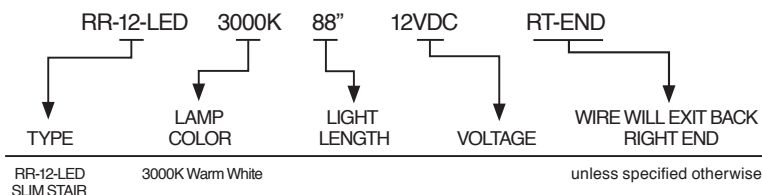
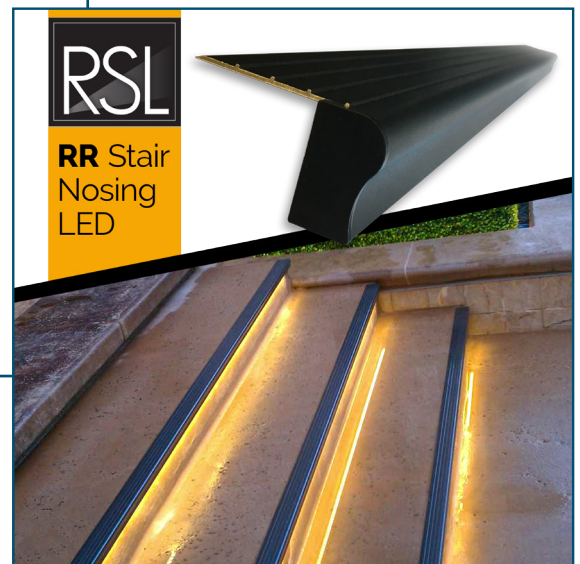
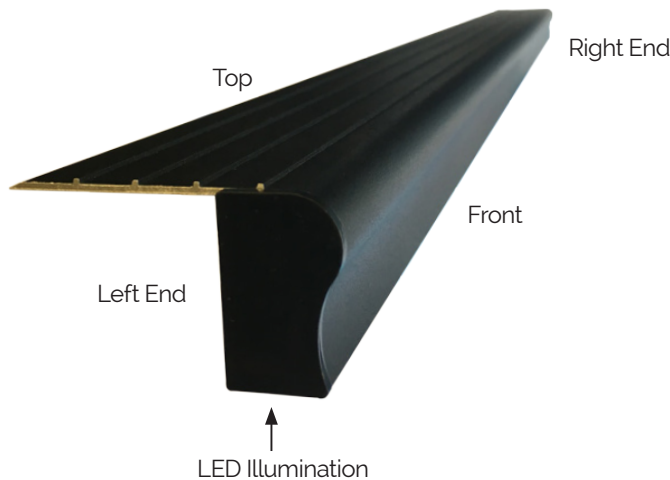
## LED Slim Stair Nosing Step Light

### SERIES **RR12**LED

- Ideal for reducing wear on carpet nosing and bull nose
- Mounts to surface with screws, construction adhesive, or floor tile adhesive (provided by others)
- 12v DC for economical power use
  - 12v DC Drivers should be ordered separately
  - System is completely dimmable
  - 50,000 hour average lifetime
- Any custom light length made to the 1/4 inch
  - End caps included
- Maximum fixture length is 15 feet
- Excellent for interior or exterior applications
- Lead wires exit one end and are 18" long unless specified longer
  - Wire exit-back can be specified if known (See below)
  - **If not specified, leads will exit back RIGHT END**
- Attractive Black finish
  - Contact us for special order finishes
- Field measurements should be taken for manufacturing if possible
- Conduit must be in place before pouring to provide wiring raceway

The RR 12 Slim Stair Nosing Series Step Light is the "ultimate" solution for aesthetic lighting on existing steps when remodeling or renovating commercial or institutional projects. The fixture functionally directs light while eliminating glare. The attractive finish provides a striking solution even for problem steps. This step light system is perfect for illuminating shallow risers that can cause hazardous falls.

#### STAIRS NEAR POOL :



**ORDER/SPECIFY BY  
CATALOG NUMBERS**



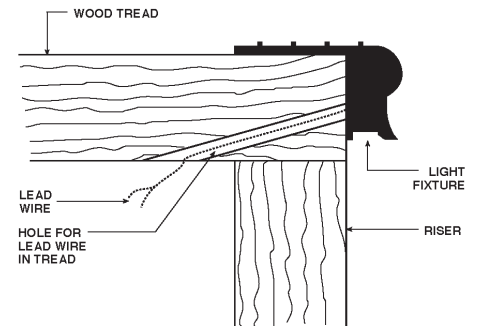
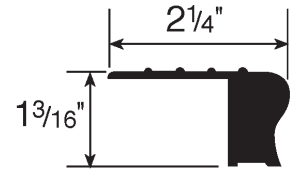


# CUSTOM LOW VOLTAGE LIGHTING

## LED Slim Stair Nosing Step Light

## SERIES RR12LED

	DESCRIPTION	RATING	NOTES
<b>DIM</b>	36w. Dimmable- Magnetic, 120v/ 12v DC	UL/3R	ETL System Listed with RSL LEDs
	60w. Dimmable -Magnetic, 120v/ 12v DC	UL/3R	ETL System Listed with RSL LEDs
	240w. Dimmable -Magnetic, 120v/ 12v DC	ETL/3R	ETL System Listed with RSL LEDs
	60w. Dimmable – 277v Driver	UL/3R	Call for pricing - Allow 3 weeks for delivery
	240w. Dimmable – 277v Driver	ETL/3R	Call for pricing - Allow 3 weeks for delivery
<b>NON DIM.</b>	35w. Indoor/Outdoor LED Driver	UR	Non-Dimmable
	60w. Indoor/Outdoor LED Driver	UR	Non-Dimmable



	Driver Power – Fixture Length Max   RSL's recommended fixture lengths/driver	3.4 Watts			1.9 Watts			1.5 Watts		
<b>DIM</b>	36w. Driver	8'	15'	19'						
	60w. Driver	14'	25'	32'						
	240w. Driver (4-60w. drivers)	56'	101'	128'						
<b>NON DIM.</b>	35w. Driver	8'	14'	18'						
	60w. Driver	14'	25'	32'						

Custom fabricated fixtures are manufactured to the exact dimension required. Each LED fixture is built with an 18" lead wire from one end. NOTE: various fixtures permit the client to specify from which end the lead wires exit. The maximum fixture length for any type is 15 feet (180 inches.) (Please consult with an RSL representative for solutions on extra-long lengths.) When pricing, always round up to the nearest half foot. Kelvin temperature (color) is +/- 300K.

TEMP (K)	COLOR	BRIGHTNESS LUMENS/FOOT	LED SPACING	CRI	POWER CONSUMPTION WATTS/FT.
2700K	WARM WHITE	94	16.7 mm/.66"	80+	1.5
2700K-HB	WARM WHITE-HB	124	8.3 mm/.5"	80+	1.9
3000K	SOFT WHITE	117	16.7 mm/.66"	80+	1.5
3000K-HB	SOFT WHITE-HB	121	12.8 mm/.5"	80+	1.9
4000K	NEUTRAL WHITE	129	16.7 mm/.66"	80+	1.5
6500K	DAYLIGHT WHITE	126	16.7 mm/.66"	80+	1.5
6500K-HB	DAYLIGHT WHITE-HB	165	12.8 mm/.5"	80+	1.9

■ Other colors available, call RSL for details.



ROBERTS STEP-LITE SYSTEMS ■ 8100 SW 15th St. ■ Oklahoma City, OK 73128  
 info@robertsstemplite.com ■ www.robertsstemplite.com  
 405.728.4895 ■ 800.654.8268 ■ F: 405.728.4878

