



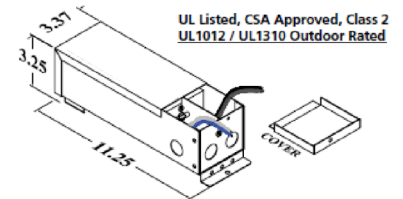
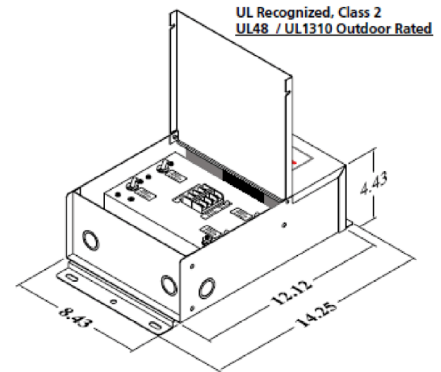
CUSTOM LOW VOLTAGE LIGHTING

12V and 24V

Dimmable Magnetic LED Drivers

LED DRIVERS

- Primary Input Voltage is 120Vac, 240Vac & 277Vac also available
- Manual Reset Overload Protection
- NEMA 3R rain tight wet location enclosure with Class 1 conduit access wiring compartment
- Safety Standard-UL listed/Recognized Class 2 Power Supplies
- Operates on 50 or 60 Hertz input
- Dimensions/weight: 36w, 48w, 60w and 96w units
 - 11.25" X 3.375" X 3.250" - 7 lbs.
- Dimensions/weight: 288w and 240w units
 - 14.25" X 8.5" X 4.5" - 24 pounds
- ETL Listed for use with RSL RW 12 SERIES light fixture



	DESCRIPTION	RATING	NOTES
DIMMABLE	36w. Dimmable- Magnetic, 120v/ 12v DC	UL/3R	ETL System Listed with RSL LEDs
	60w. Dimmable -Magnetic, 120v/ 12v DC	UL/3R	ETL System Listed with RSL LEDs
	240w. Dimmable -Magnetic, 120v/ 12v DC	ETL/3R	ETL System Listed with RSL LEDs
	60w. Dimmable – 277v Driver	UL/3R	Call for pricing - Allow three weeks for delivery
	240w. Dimmable – 277v Driver	ETL/3R	Call for pricing - Allow three weeks for delivery
NON DIMMABLE	48w. Dimmable- Magnetic, 120v/ 24v DC	UL/3R	
	96w. Dimmable- Magnetic, 120v/ 24v DC	UL/3R	
	288w. Dimmable- Magnetic, 120v/ 24v DC	ETL/3R	
	40w. Dimmable- Magnetic, 120v/ 8v DC	ETL/3R	
	80w. Dimmable- Magnetic, 120v/ 8v DC	ETL/3R	
NON DIMMABLE	20w. Indoor/Outdoor LED Driver	UR	Non-Dimmable
	25w. Indoor/Outdoor LED Driver	UR	Non-Dimmable
	40w. Indoor/Outdoor LED Driver	UR	Non-Dimmable
	60w. Indoor/Outdoor LED Driver	UR	Non-Dimmable

- For alternative dimming systems, please speak to a local representative.
<http://robertsstemplite.com/rep-locator/>

ORDER/SPECIFY BY CATALOG NUMBERS

