



INSTALLATION INSTRUCTIONS

RW 24 Low Profile Special Purpose

Voltage/ Power Supply:

LED

- 12v DC/24v DC
- Powered by Magnetic Low Voltage Drivers
- Polarity sensitive (red or black is positive, white or blue is negative)
 - If lights don't illuminate, try reversing leads.
 - Restore electricity & check operation of fixture.

Fixtures are packed in plastic bags for protection during the shipping process. Please note tagging code if required.

! DISCONNECT THE POWER BY TURNING OFF CIRCUIT BREAKER OR REMOVING FUSE AT FUSE BOX !

! Do not plug the fixtures directly into the electrical outlet !

Installation Option 1: Mechanical Fastening

Please ensure that the mounting area is neat, clean, dry and free from any chemical residue. For best results, RSL recommends using the enclosed mounting clips. Mechanical fasteners should be used to secure the mounting clip to the substrate.

- *Recommended clip spacing: LED: 12" intervals*

Installation Option 2: Adhesive Fastening

Please ensure that the mounting area is neat, clean, dry, and free from any chemical residue. RSL recommends using a high quality construction adhesive or sealant to bond the fixture to the substrate. A continuous bead of adhesive/sealant reduces the opportunity for the fixture to sag when fully cured. The fixture should be supported every 8-12" while the material cures- typically 24-36 hours.

cont...

Any questions on voltage type, maximum wattage, or re-lamping, please call or contact us at:



ROBERTS STEP-LITE SYSTEMS ■ 8100 SW 15th St. ■ Oklahoma City, OK 73128
info@robertsstemplite.com ■ www.robertsstemplite.com
405.728.4895 ■ 800.654.8268 ■ F: 405.728.4878





RW 24

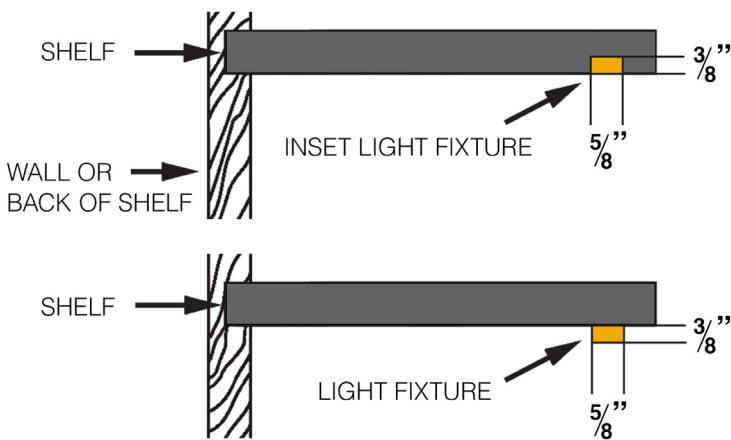
Low Profile Special Purpose

continued

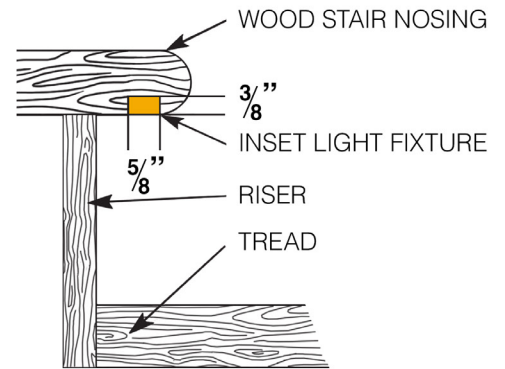
Special Notes:

All electrical connections must be in accordance with local codes, ordinances, or the national electrical code. If you are unfamiliar with methods of installing electrical wiring, retain the service of a qualified licensed Electrician. Before starting the installation, disconnect the power by turning off the circuit breaker or removing the fuse from the fuse box. Turning off the light switch is not sufficient to prevent electrical shock.

Connect the wires from the fixture to the low voltage wires from the power supply. Use UL/CSA listed connectors suitable for the size and type of wire. No loose strands or loose connections should be present.



OR



Any questions on voltage type, maximum wattage, or re-lamping, please call or contact us at:



ROBERTS STEP-LITE SYSTEMS ■ 8100 SW 15th St. ■ Oklahoma City, OK 73128
info@robertsstemplite.com ■ www.robertsstemplite.com
405.728.4895 ■ 800.654.8268 ■ F: 405.728.4878

